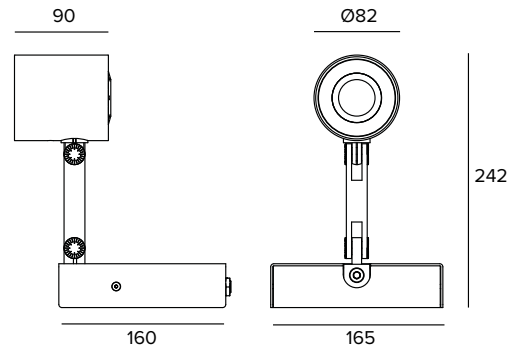


T044DBS930FW | CORO 80

Professional adjustable LED projector for wall or cornice installation with a variable light beam opening



The fixture's photometric values can be found on the following pages



The figures on the drawing are expressed in mm.

SOURCE

High efficiency Chip on Board LED Ra90.

Energy efficiency class: F

Nominal power: 19W

Nominal flux: 1935lm

Colour rendering index: 90

Rf: 92

Rg: 101

CCT nominal: 3000K

Lifetime (L80/B10): >50000h tq +25°C

ILLUMINOTECHNICAL CHARACTERISTICS

DBS version: anodised reflective aluminium reflector optic, a liquid crystal lens, holographic diffusing filter (beam opening from SP to MWFL).

Optic: DBS

Beam angles: SP-MWFL

Optical efficiency: See photometries

Fixture flux: See photometries

Luminous efficacy: See photometries

Photobiological safety: Compliant with RG1 low risk group

MECHANICAL CHARACTERISTICS

Painted aluminium body, front ring and joints. Passive heat sink cooling system. Optical unit adjustability: +/-165° on the horizontal plane and 180° on the vertical plane with the possibility of mechanical aiming locking through single knob for both aiming locks. Articulated arm adjustable of 180° on the vertical plane. Graduated references at the articulated joints.

Colour and finish: Florentine white

Weight: 1.4Kg

Version: LONG ARM

Degree of protection: IP20

ELECTRICAL CHARACTERISTICS

DBS version: complete with driver and Casambi control system (Casambi Ready).

Fixture Power: 22W

Power supply: 110-240Vac 50/60Hz

Insulation Class: CLASS 1

Type of driver / Control: CASAMBI

Driver included: YES

Class F: YES

Ambient temperature: 0°C / +25°C

INSTALLATION

DBS version: complete with base for surface mounting.

NOTES

Commissioning of the control system via free APP; the intervention of a specialist technician can be quoted on request.

WARRANTY

5 years.

Due to the technological evolution of the electronic components, the data provided may be updated, and as such, confirmation must be requested during the order process.

Luminous flux and power supply have +/-10% tolerances with respect to the indicated value. tq +25°C (CIE 121).

We reserve the right to make technical changes.

Targetti Sankey S.r.l.
Via Pratese, 164
50145 Firenze - Italy
Tel: +39 055 37911
targetti.com
targetti@targetti.com

CCIAA Firenze
Share Capital:
€ 500.000,00
VAT N. (IT):
01537660480
R.E.A: FI-275656

TARGETTI

T044DBS930FW | CORO 80
Professional adjustable LED projector for wall or cornice installation with a variable light beam opening

	3000K	H(m)	D(m)	Emax(lx)		
	Ra90		17°			
Fixture Power	22W	1	0.30	9121		
Source Flux	1935lm	2	0.59	2280		
Fixture Flux	1406lm	3	0.89	1013		
Efficacy	63lm/W	4	1.19	570		
TS2024	Imax=4714cd/klm	Imax	9121cd	5	1.49	365

	3000K	H(m)	D(m)	Emax(lx)		
	Ra90		40°			
Fixture Power	22W	1	0.72	2067		
Source Flux	1935lm	2	1.45	517		
Fixture Flux	1301lm	3	2.17	230		
Efficacy	58lm/W	4	2.89	129		
TS2025	Imax=1068cd/klm	Imax	2067cd	5	3.61	83

SP

Fixture flux 1406lm
 Luminous efficacy 63lm/W
 Optical efficiency 73%

FL

Fixture flux 1301lm
 Luminous efficacy 58lm/W
 Optical efficiency 67%

Due to the technological evolution of the electronic components, the data provided may be updated, and as such, confirmation must be requested during the order process. Luminous flux and power supply have +/-10% tolerances with respect to the indicated value. tq +25°C (CIE 121).

Targetti Sankey S.r.l.
 Via Pratese, 164
 50145 Firenze - Italy
 Tel: +39 055 37911
 targetti.com
 targetti@targetti.com

CCIAA Firenze
 Share Capital:
 € 500.000,00
 VAT N. (IT):
 01537660480
 R.E.A.: FI-275656

We reserve the right to make technical changes.



T044DBS930FW | CORO 80**Professional adjustable LED projector for wall or cornice installation with a variable light beam opening****Accessories****Emergency Kit**

Code

A059

Emergency kit composed of an inverter a LiFePO4 battery and a LED Green indicator.
Allows permanent EP emergency use of the fixture it is connected to.

The 1h or 3h autonomy can be selected by configuring the fixture.

The batteries take 12h to completely recharge.

LED Green indicator wired to the inverter through single-core cables L= 800mm.

Emergency kit for fixtures that comply with EN 60598-2-22 standard, high risk areas excluded.

Battery size 160x54x30 mm.

Inverter size 165x40x25 mm.

Due to the technological evolution of the electronic components, the data provided may be updated, and as such, confirmation must be requested during the order process.

Luminous flux and power supply have +/-10% tolerances with respect to the indicated value. tq +25°C (CIE 121).

We reserve the right to make technical changes.

Targetti Sankey S.r.l.
Via Pratese, 164
50145 Firenze - Italy
Tel: +39 055 37911
targetti.com
targetti@targetti.com

CCIAA Firenze
Share Capital:
€ 500.000,00
VAT N. (IT):
01537660480
R.E.A: FI-275656

TARGETTI